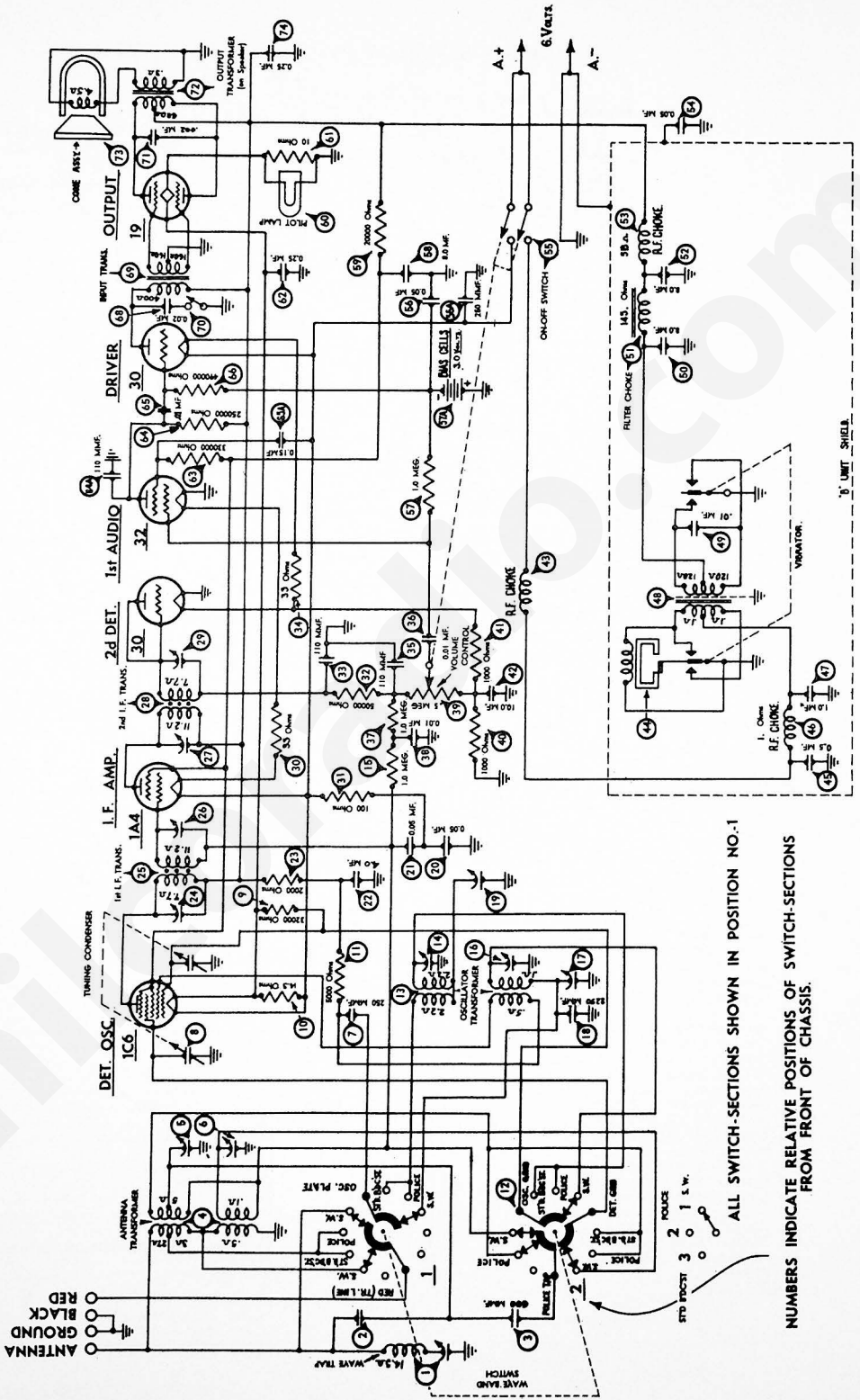


MODEL 624

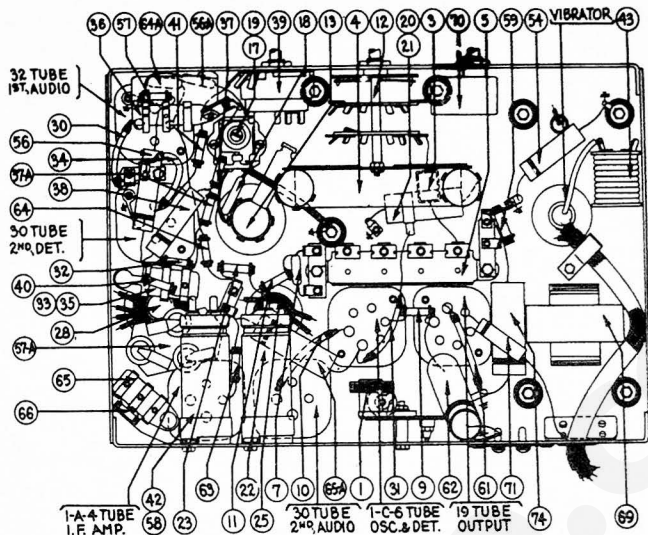
(6-Volt Battery Operated)



ALL SWITCH-SECTIONS SHOWN IN POSITION NO.1

NUMBERS INDICATE RELATIVE POSITIONS OF SWITCH-SECTIONS FROM FRONT OF CHASSIS.

STD ENDS 3 0 1 S.W.



Replacement Parts—Model 624

Schematic Number	Part and Description	Part No.
①	Wave Trap	38-6850
②	Condenser (Leads twisted together)	
③	Condenser (.0006 Mf. mica)	30-1049
④	Aerial Transformer	32-1669
⑤	Compensator (Antenna Standard & Police)	31-6047
⑥	Compensator (Antenna Short Wave)	Part of ③
⑦	Condenser (.00025 Mf. mica)	30-1032
⑧	Tuning Condenser	31-1740
⑨	Resistor (32,000 ohms)	33-1208
⑩	Resistor (14.3 ohms wire wound)	33-3232
⑪	Resistor (5,000 ohms)	6096
⑫	Wave Band Switch	42-1151
⑬	Oscillator Transformer	32-1973
⑭	Compensator (Oscillator Standard & Police)	Part of ③
⑮	Resistor (40,000 ohms, ¼ watt)	33-1180
⑯	Compensator (Oscillator Short Wave)	Part of ③
⑰	Compensator (Nut) (Osc. Short Wave Series)	31-6027
⑱	Condenser (2250 Mmf. mica)	30-1053
⑲	Compensator (Screw) (Osc. Standard Series)	Part of ③
⑳	Condenser (.05 Mf. twin tubular)	30-4394
㉑	Condenser (.05 Mf.)	30-2144
㉒	Electrolytic Condenser (4 Mf., 200 V.)	33-1029
㉓	Resistor (2000 ohms, ¼ watt)	Part of ③
㉔	Compensator (Primary 1st I.F.)	32-1671
㉕	Compensator (Secondary 1st I.F.)	Part of ③
㉖	Compensator (Primary 2nd I.F.)	Part of ③
㉗	2nd I.F. Transformer	32-1672
㉘	Compensator (Secondary 2nd I.F.)	Part of ③
㉙	Resistor (33 ohms wire wound)	33-3233
㉚	Resistor (100 ohms wire wound)	33-3187
㉛	Resistor (51,000 ohms, ¼ watt)	6098
㉜	Condenser (.00011 Mf. twin bakelite)	8035-DG
㉝	Resistor (33 ohms wire wound)	33-3233
㉞	Condenser (.00011 Mf.)	Part of ③
㉟	Condenser (.01 Mf. bakelite)	3903-SU
㊱	Resistor (1 Meg., ¼ watt)	33-1096
㊲	Resistor (1 Meg., ¼ watt)	33-1096
㊳	Condenser (.01 Mf. tubular)	30-4124
㊴	Volume Control (.5 Meg.)	33-5137
㊵	Resistor (1000 ohms, ¼ watt)	33-1028
㊶	Resistor (1000 ohms, ¼ watt)	33-1028
㊷	Electrolytic Condenser (10 Mf., 8.0 Mf.)	30-2143
㊸	R.F. Choke	32-1954
㊹	Vibrator Unit	41-2015
㊺	Condenser (.5 Mf. metal case)	30-4058
㊻	R.F. Choke	32-1954
㊼	Condenser (1.0 Mf. metal case)	30-4399
㊽	Power Transformer	32-7504
㊾	Condenser (.01 Mf. tubular)	30-4318
㊿	Electrolytic Condenser (8.0 Mf. twin)	30-2138
1	Filter Choke	32-7543
2	Electrolytic Condenser (8.0 Mf.)	Part of ③
3	R.F. Choke	32-1842
4	Condenser (.05 Mf. tubular)	30-4020
5	Off-On Switch	Part of ③

Schematic Number	Part and Description	Part No.
6	Condenser (.05 Mf. tubular)	30-4020
7	A Condenser (.00025 Mf. mica)	30-1032
8	Resistor (1.0 megohm, ¼ watt)	33-1096
9	Bias Cells Assembly	38-7273
10	Electrolytic Condenser (8.0 Mf.)	Part of ③
11	Resistor (20,000 ohms, ¼ watt)	6650
12	Pilot Lamp	34-2065
13	Resistor (10 ohms wire wound)	33-3041
14	Condenser (.25 Mf. tubular)	30-4146
15	Resistor (330,000 ohms, ¼ watt)	33-1200
16	Resistor (240,000 ohms, ¼ watt)	33-1097
17	A Condenser (.00011 Mf. mica)	30-1031
18	Condenser (.01 Mf. bakelite)	3903-SU
19	A Condenser (.15 Mf. tubular)	30-4191
20	Resistor (490,000 ohms, ¼ watt)	6097
21	Condenser (.00011 Mf. mica)	30-1031
22	Condenser (.02 Mf.)	Part of ③
23	Input Transformer	32-7454
24	Tone Control Assembly	30-4391
25	Condenser (.002 Mf. tubular)	30-4177
26	Output Transformer	32-7503
27	Voice Cell and Cone Assembly	36-3540
28	Condenser (.25 Mf. tubular)	30-4146
29	Wiring Panel (2 lug)	38-5500
30	Wiring Panel (1 lug)	38-6801
31	Wiring Panel (2 lug)	38-7178
32	Wiring Panel (2 lug)	38-5501
33	Tube Shield Body	28-2726
34	Tube Shield Base	28-2725
35	Glowing Arrow Mask	27-5167
36	Screen	27-5166
37	Mask Arm	29-3274
38	Link	29-3285
39	Coupling	29-3586
40	Electrolytic Condenser Support	29-1328
41	Screen Bracket Assembly	11-1751
42	Dial Scale	27-5163
43	Hub Assembly	28-7129
44	Pilot Lamp Bracket Assembly	38-7499
45	R.F. Shield Assembly	38-6757
46	Battery Cable	41-3176
47	Speaker Plug Assembly	27-6043
48	Speaker Terminal Cover	02824
49	Knob (tuning)	27-4206
50	Knob (slow-speed tuning)	27-4207
51	Knob (volume, tone, wave switch)	27-4208
52	Bezel	28-3151
53	Bezel Gasket	27-8112
54	Bezel Glass Socket	28-1429
55	Bezel Glass Mask	27-8122
56	Bezel Mounting Screw	W-1494
57	Speaker Cable	36-3009
58	Front Bumper	27-4197
59	Chassis Mounting Screw	W-1496-A
60	Chassis Mounting Washer (rubber)	27-4198
61	Chassis Mounting Cushion (rubber)	27-4199
62	Chassis Mounting Sleeve	28-2897